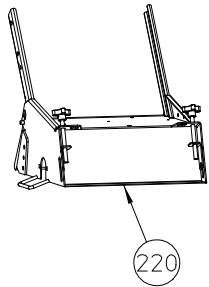
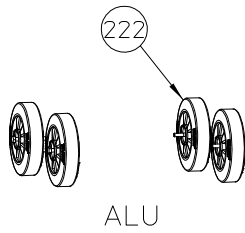


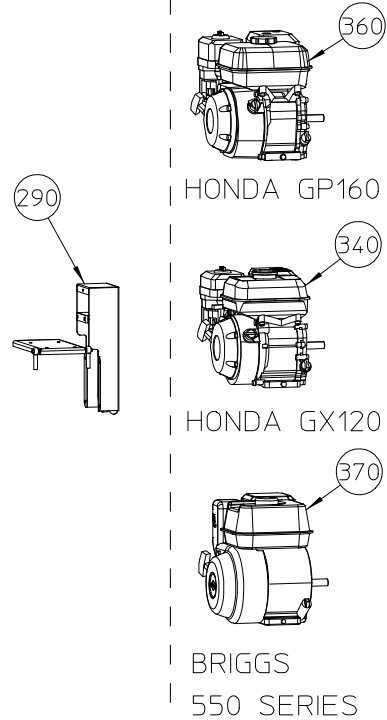
FRAME



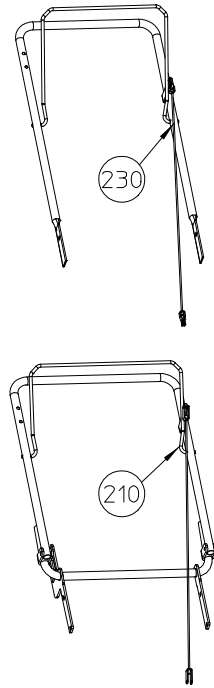
WHEELS



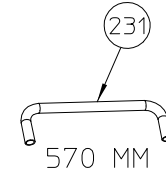
TRANSMISSION COMBUSTION



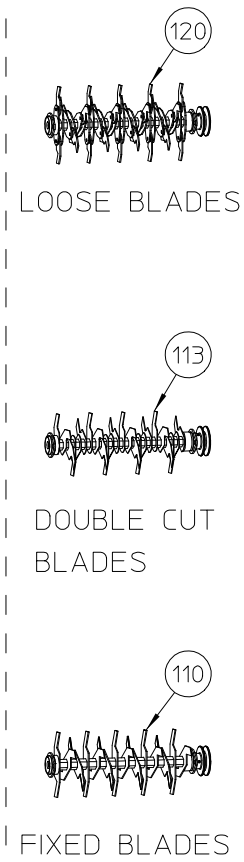
HANDLEBAR



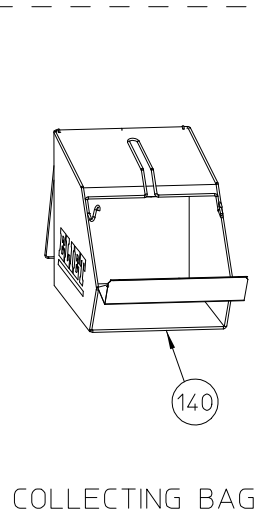
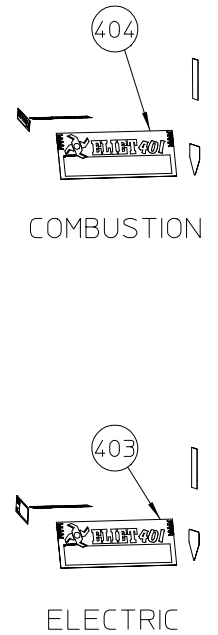
RUBBER HANDLEBAR



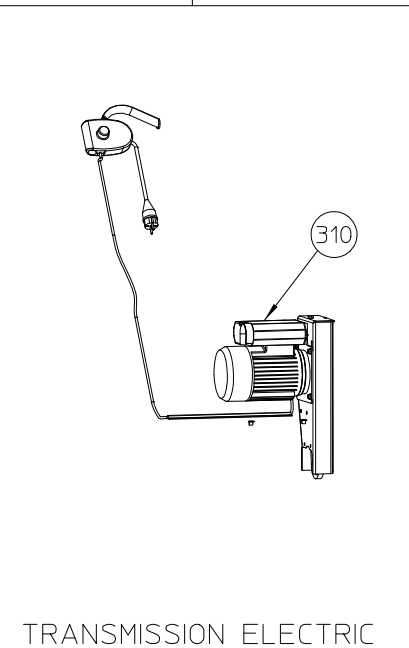
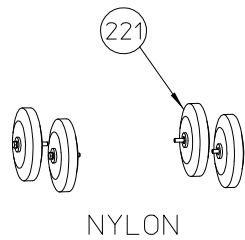
BLADES



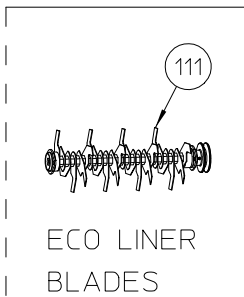
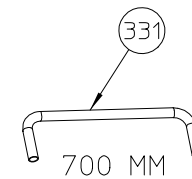
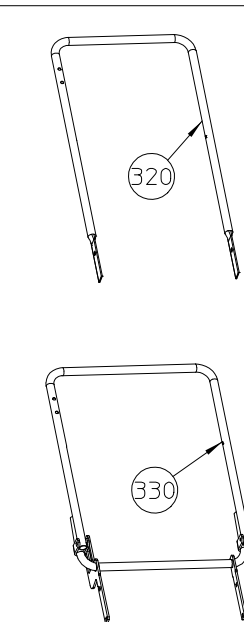
STICKERS



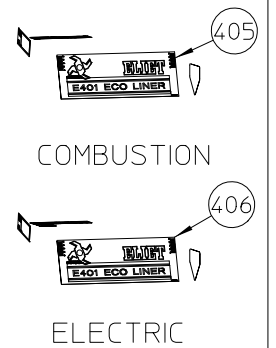
COLLECTING BAG



TRANSMISSION ELECTRIC



ECO LINER BLADES

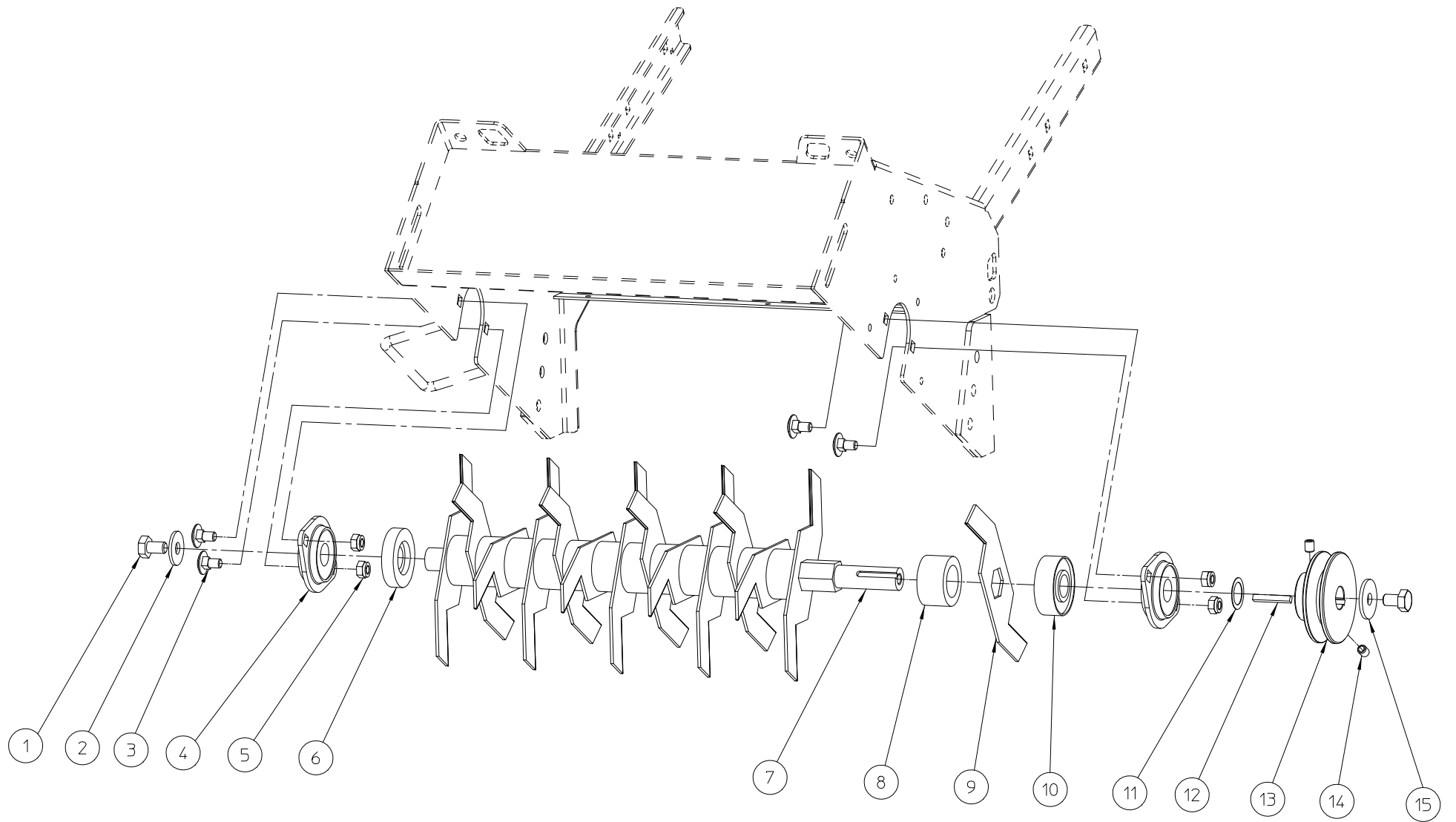


ELECTRIC

ELIET E401 – GENERAL

NO	MMA 01 080 400	REV	1	DATE	2023/05/25
----	----------------	-----	---	------	------------

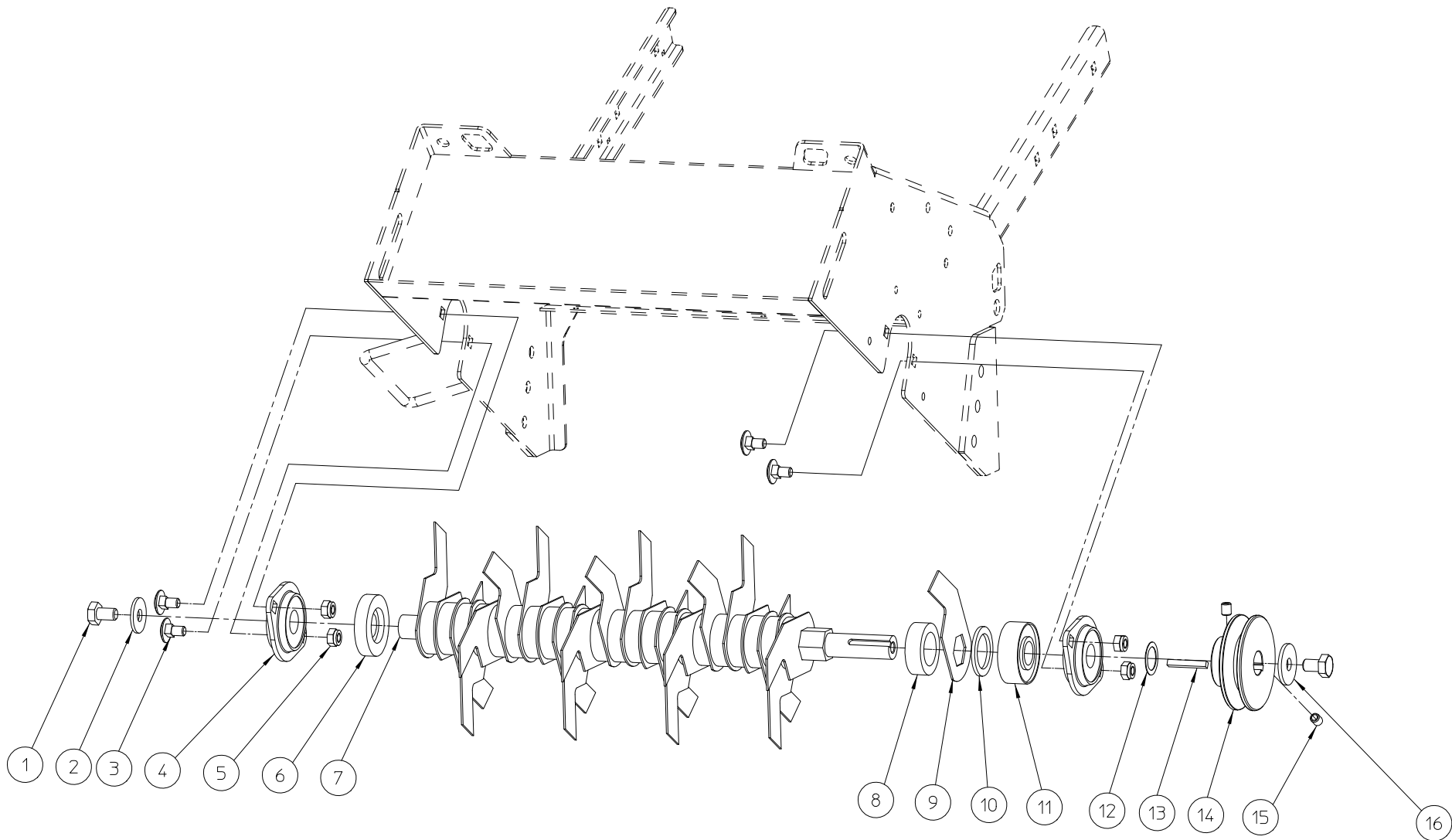
#	Order nr	article description	quantity
110	MMA 01 080 110	rotor fixed knives	1
111	MMA 01 080 111	rotor fixed knives elec	1
113	MMA 01 080 113	rotor double cut knives	1
120	MMA 01 080 120	rotor loose knives	1
140	MMA 01 080 140	collecting bag kit	1
210	MMA 01 080 210	folding handlebar comb. engine	1
220	MMA 01 080 220	frame	1
221	MMA 01 080 221	rubber wheels	1
222	MMA 01 080 222	alu wheels	1
230	MMA 01 080 230	fixed handlebar comb. engine	1
231	MMA 01 080 231	rubber handlebar	1
290	MMA 01 080 290	transmission comb. engine	1
310	MMA 01 080 310	chassis electrical	1
320	MMA 01 080 320	fixed handlebar electrical	1
330	MMA 01 080 330	folding handlebar electrical	1
331	MMA 01 080 331	rubber folding handlebar	1
340	MMA 01 080 340	engine honda gx120	1
360	MMA 01 080 360	comb. engine honda gp160	1
370	MMA 01 080 370	engine briggs 550 series	1
403	MMA 01 080 403	stickers electrical	1
404	MMA 01 080 404	stickers comb. engine	1
405	MMA 01 080 405	stickers eco liner comb.	1
406	MMA 01 080 406	stickers eco liner elektro	1



ELIET E401 - BLADE SHAFT - FIXED BLADES

NO	MMA 01 080 110	REV	3	DATE	2023/05/25
----	----------------	-----	---	------	------------

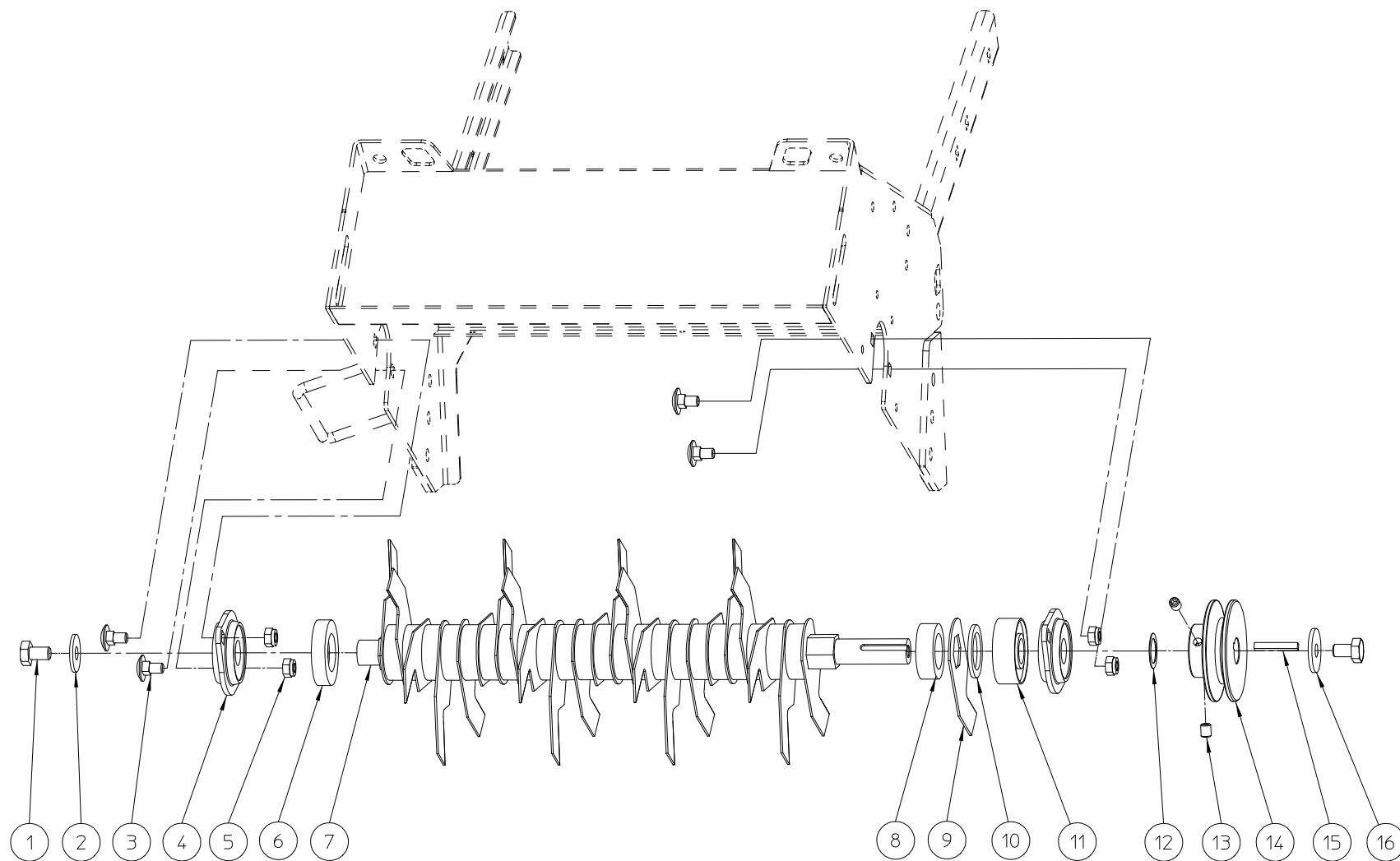
#	Order nr	article description	quantity
2	BS 532 010 305	washer m10x30x2.5	1
3	BS 554 100 816	bolt m8x16 din 603	4
4	BL 801 102 000	bearing + flanges cspfl 204	2
5	BS 502 000 800	self locking nut m8 din 985	4
6	MPA 01 080 930		1
7	MPA 01 080 500	blade shaft	1
8	BR 111 292 510	nylon bushing (28.5/44x25)	13
9	BU 102 100 100	blade 2,5 mm - e400	14
10	MPA 01 080 920		1
11	BS 036 002 005	fitting ring 20x28x0.5mm din 988	1
12	BB 341 050 535	key 5x5x35 din 6880	1
13	BA 565 707 503	pulley spa 75x20x5 (rotor)	1
14	BS 023 000 810	set screw m8x10 din 916	2
15	BS 532 010 356	washer m10x35x3	1



**ELIET E401 – BLADE SHAFT – ECO LINER**

NO	MMA 01 080 111	REV	2	DATE	2023/05/25
----	----------------	-----	---	------	------------

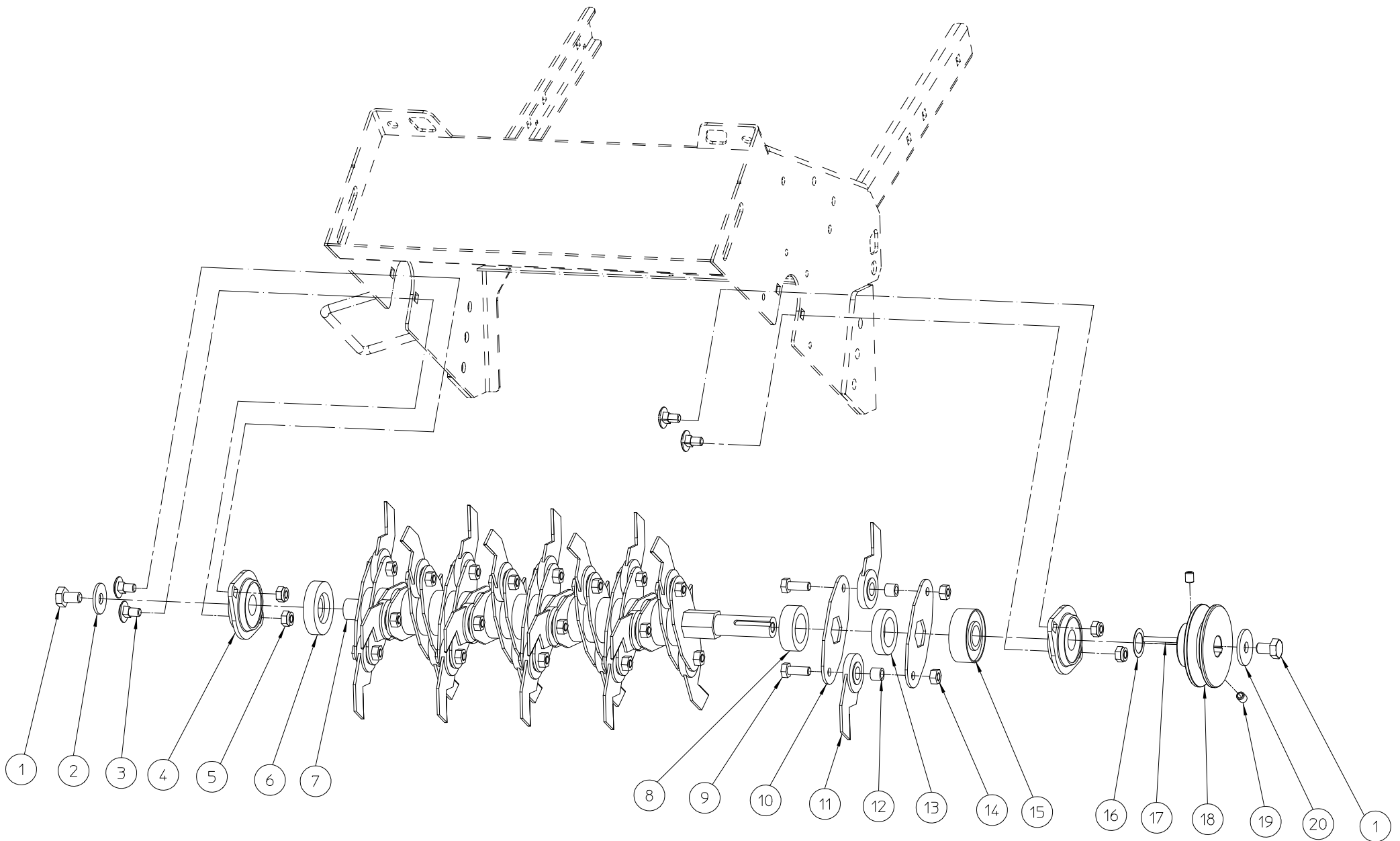
#	Order nr	article description	quantity
1	BS 512 001 016	bolt m10x16 din 933	2
2	BS 532 010 305	washer m10x30x2.5	1
3	BS 554 100 816	bolt m8x16 din 603	4
4	BL 801 102 000	bearing + flanges cspfl 204	2
5	BS 502 000 800	self locking nut m8 din 985	4
6	MPA 01 080 930		1
7	MPA 01 080 500	blade shaft	1
8	BR 111 291 410	nylon bushing (28.5/44x14)	23
9	BU 102 300 110	blade eco liner	24
10	BS 036 003 030	fitting ring 30x42x3mm din 988	1
11	MPA 01 080 920		1
12	BS 036 002 005	fitting ring 20x28x0.5mm din 988	1
13	BB 341 050 535	key 5x5x35 din 6880	1
14	BA 565 707 503	pulley spa 75x20x5 (rotor)	1
15	BS 023 000 810	set screw m8x10 din 916	2
16	BS 532 010 356	washer m10x35x3	1



ELIET E401 – BLADE SHAFT – DOUBLE CUT

NO	MMA 01 080 113	REV	2	DATE	2023/05/25
----	----------------	-----	---	------	------------

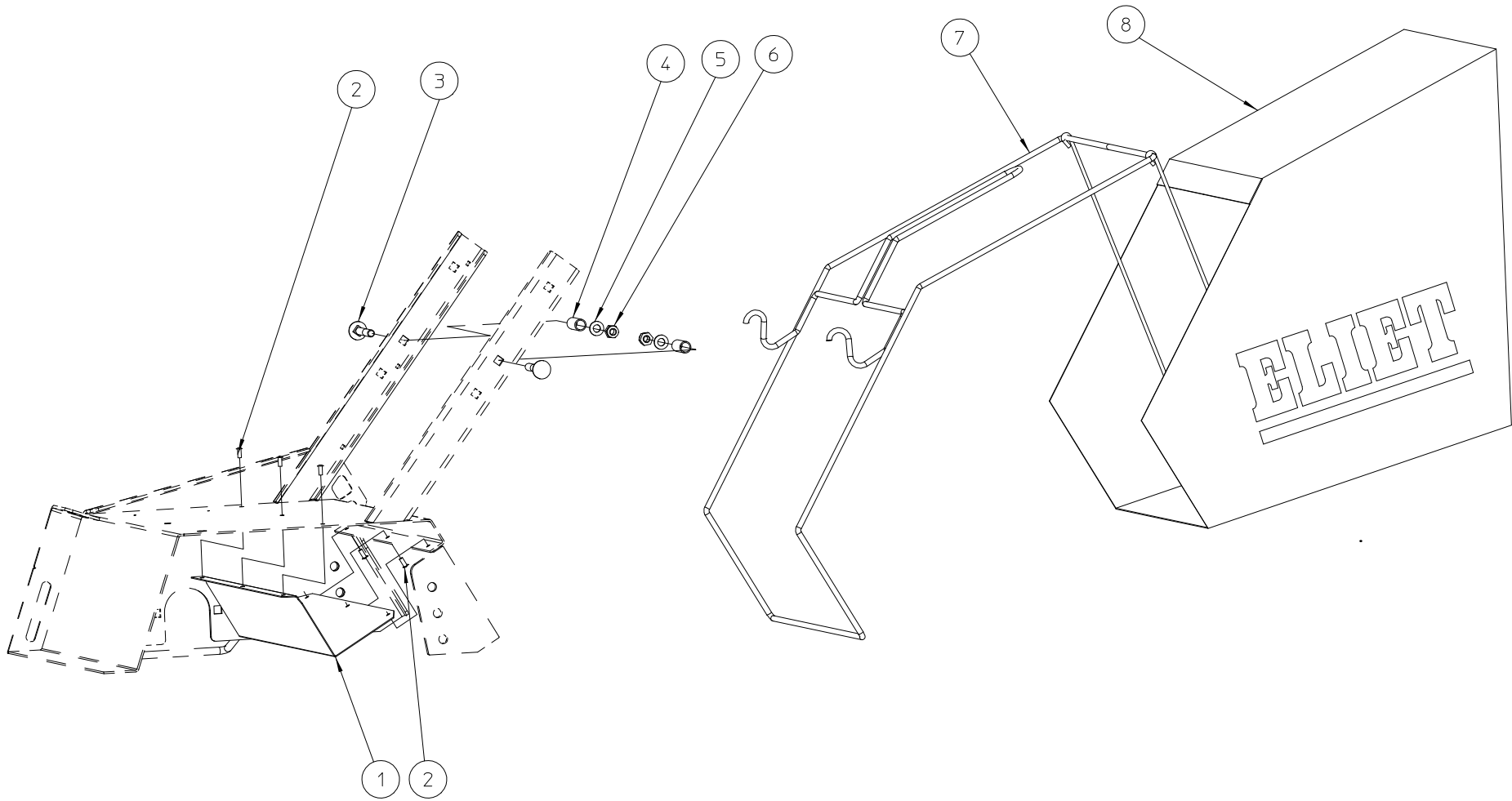
#	Order nr	article description	quantity
1	BS 512 001 016	bolt m10x16 din 933	2
2	BS 532 010 305	washer m10x30x2.5	1
3	BS 554 100 816	bolt m8x16 din 603	4
4	BL 801 102 000	bearing + flanges cspfl 204	2
5	BS 502 000 800	self locking nut m8 din 985	4
6	MPA 01 080 930		1
7	MPA 01 080 500	blade shaft	1
8	BR 111 291 410	nylon bushing (28.5/44x14)	23
9	BU 102 300 100	double cut blade e501 / e750	24
10	BS 036 003 030	fitting ring 30x42x3mm din 988	1
11	MPA 01 080 920		1
12	BS 036 002 005	fitting ring 20x28x0.5mm din 988	1
13	BS 023 000 810	set screw m8x10 din 916	2
14	BA 565 707 503	pulley spa 75x20x5 (rotor)	1
15	BB 341 050 535	key 5x5x35 din 6880	1
16	BS 532 010 356	washer m10x35x3	1



ELIET E401 – BLADE SHAFT – LOOSE BLADES

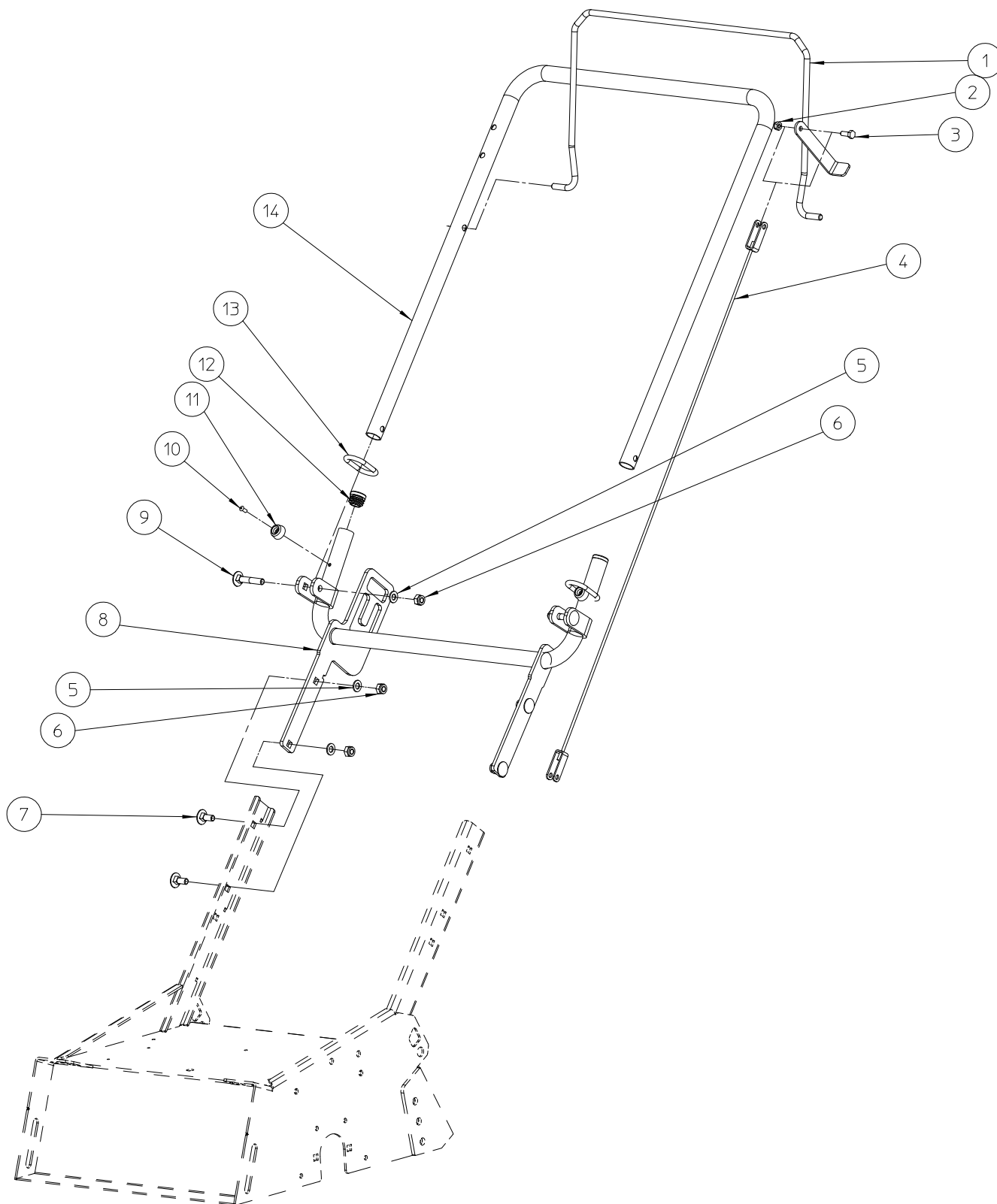
NO	MMA 01 080 120	REV	3	DATE	2023/05/25
----	----------------	-----	---	------	------------

#	Order nr	article description	quantity
1	BS 512 001 016	bolt m10x16 din 933	2
2	BS 532 010 305	washer m10x30x2.5	1
3	BS 554 100 816	bolt m8x16 din 603	4
4	BL 801 102 000	bearing + flanges cspfl 204	2
5	BS 502 000 800	self locking nut m8 din 985	4
6	MPA 01 080 930		1
7	MPA 01 080 500	blade shaft	1
8	BR 111 291 410	nylon bushing (28.5/44x14)	12
9	BS 512 000 822	bolt m8x22 din 933	26
10	MPA 01 090 530	bracket for loose blade	26
11	BU 102 200 100	blade - e501 / e750	26
12	MPA 01 090 540	bush loose blade	26
13	BR 111 291 010	nylon bushing (28.5/44x10)	13
14	BS 501 000 800	nut m8 din 934	26
15	MPA 01 080 920		1
16	BS 036 002 005	fitting ring 20x28x0.5mm din 988	1
17	BB 341 050 535	key 5x5x35 din 6880	1
18	BA 565 707 503	pulley spa 75x20x5 (rotor)	1
19	BS 023 000 810	set screw m8x10 din 916	2
20	BS 532 010 356	washer m10x35x3	1



ELIET E401 – COLLECTING BAG KIT				
NO	MMA 01 080 140	REV	2	DATE 2023/05/25

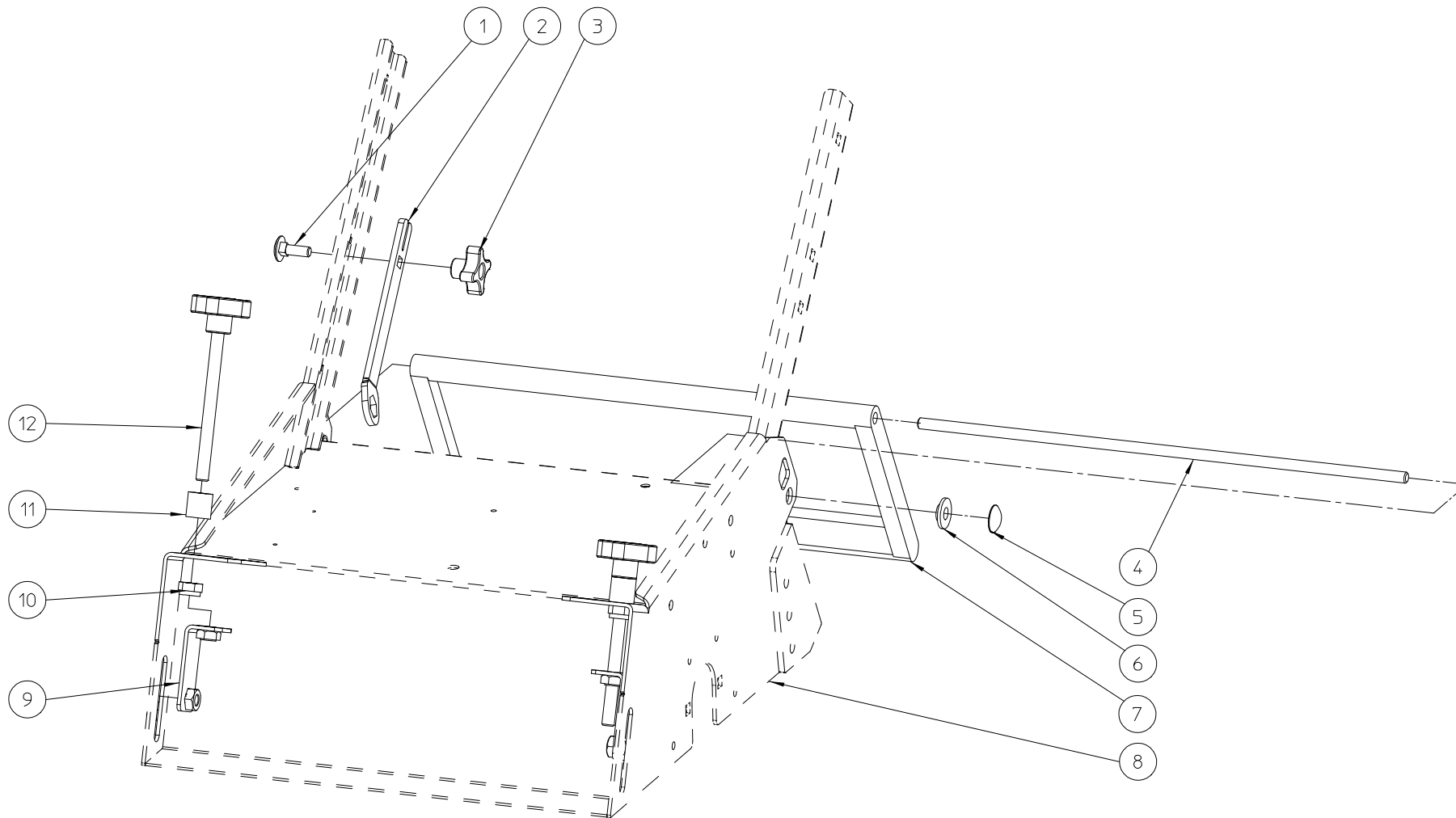
#	Order nr	article description	quantity
1	MPA 01 080 290	deflector	1
2	BB 221 004 100	pop plug steel 3.9x10	6
3	BS 554 100 843	bolt m8x55 din 603	2
4	MPA 01 080 280	bushing 16x8x40	2
5	BS 531 000 800	washer m8 din 125	2
6	BS 502 000 800	self locking nut m8 din 985	2
7	MPA 01 080 270	frame for collecting bag	1
8	BQ 348 080 010	collecting bag	1



ELIET E401 – FOLDING HANDLEBAR COMB. ENGINE

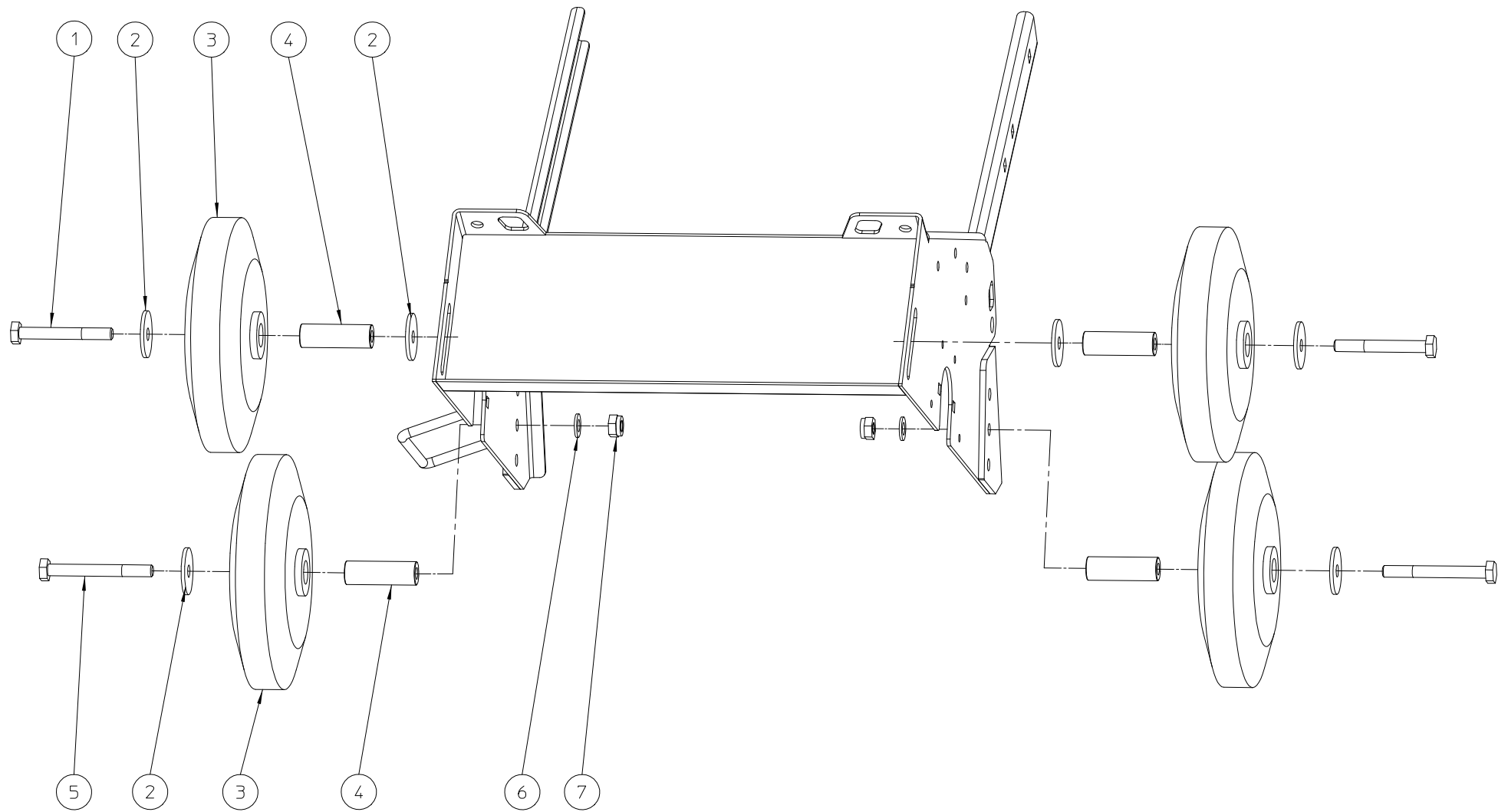
NO	MMA 01 080 210	REV	1	DATE	2023/05/25
----	----------------	-----	---	------	------------

#	Order nr	article description	quantity
2	BS 502 000 600	self locking nut m6 din 985	1
3	BS 512 000 616	bolt m6x16 din 933	1
4	BK 152 250 820	cablE 2.5x820mm	1
5	BS 531 000 800	washer m8 din 125	6
6	BS 502 000 800	self locking nut m8 din 985	6
7	BS 554 100 820	bolt m8x20 din 603	4
8	MPA 01 080 610	support folding handlebars	1
9	BS 554 100 841	bolt m8x45 din 603	2
10	BB 221 004 100	pop plug steel 3.9x10	2
11	BR 625 020 100	rubber foot	2
12	BR 020 501 220	tube cap Ø 22mm	2
13	MPA 01 090 320	ring of locking	2
14	MPA 01 080 700	folding handlebars	1



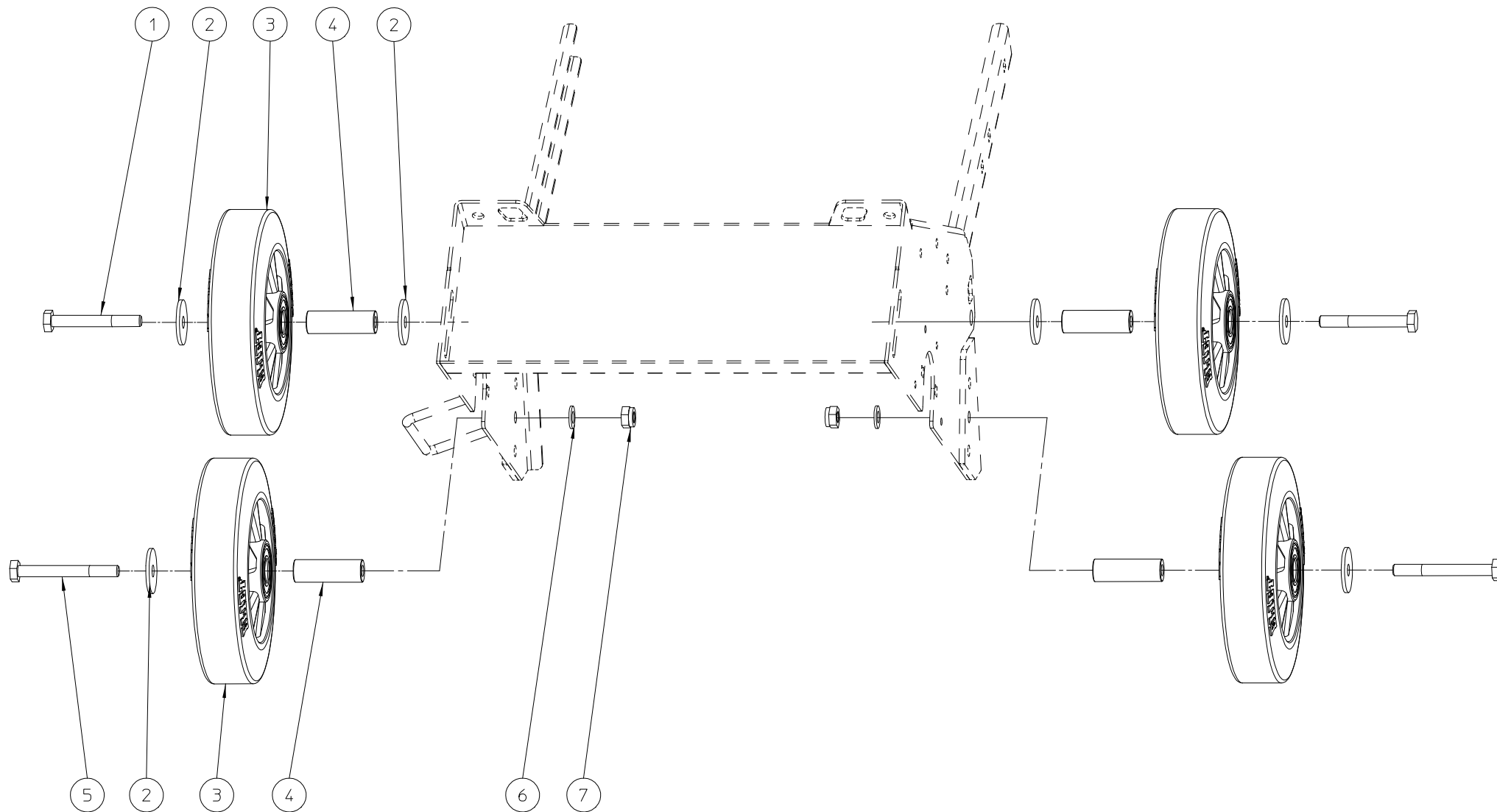
ELIET E401 - FRAME				
NO	MMA 01 080 220	REV	1	DATE 2023/05/25

#	Order nr	article description	quantity
1	BM 202 104 000	honda gx 120	1
2	BB 342 050 535	key 4.7x4.7x35 din 6880	1
3	MPA 01 080 200	belt catcher (pulley engine)	1
4	BS 512 040 816	bolt unf 5/16"x5/8"	2
5	BS 023 000 810	set screw m8x10 din 916	2
6	BA 521 207 490	belt xpa	1
7	MPA 01 080 170	transmission guard (combustion engine)	1
8	BS 531 000 600	washer m6 din 125	11
9	BS 512 000 616	bolt m6x16 din 933	7
10	BQ 505 010 070	safety sticker 100x80 (hand cuts)	1
11	BS 554 100 825	bolt m8x25 din 603	1
12	MPA 01 080 240	wrench 17	1
13	BS 531 000 800	washer m8 din 125	9
14	BN 630 808 400	lob knob 188-40 m8	1
15	BQ 505 010 050	safety sticker 60x100 (pictogram)	1
16	BQ 505 010 040	safety sticker 60x100 (spark plug)	1
17	BQ 505 010 150	safety sticker 60x100 (distance)	1
18	MPA 01 080 100	chassis	1
19	BR 600 425 170	antivibration blocks 25x17b m6x18	1
20	BR 900 000 500	protection cover	1
21	BR 112 100 600	nylon bushing with collar (10/13.5/25x6/2.5)	2
22	BB 011 000 090	starlock 9mm	2
23	MPA 01 080 260	rod 9mm deflector	1
24	MPA 01 110 610	wheel shaft	4
25	BS 532 010 406	washer m10x40x3	6
26	BS 511 001 049	bolt m10x90 din 931	2
27	MPA 01 080 190	belt catcher (pulley rotor)	1
28	BS 531 001 000	washer m10 din 125	2
29	BS 502 001 000	self locking nut m10 din 985	6
30	BS 502 000 600	self locking nut m6 din 985	8
31	BS 501 901 000	nut m10 din 439	2
32	BS 532 010 356	washer m10x35x3	2
33	BQ 501 080 010	sticker eliet e401 330x130	1
34	MPA 01 080 220	front wheel holder	2
35	BW 320 020 000	front wheel alu 200/50-60 (e 501 pro)	4
36	BS 511 001 048	bolt m10x80 din 931	2
37	BB 011 000 080	starlock 8mm	2
38	BS 551 101 042	eye bolt m10x50 din 444	2
39	BR 112 081 300	nylon bushing with collar (8/11/16x13/2)	2
40	BS 502 000 800	self locking nut m8 din 985	4
41	MPA 01 080 150	engine plate (combustion engine)	1
42	BS 511 000 835	bolt m8x35 din 931	4
43	BQ 505 010 030	sticker max 3200 rpm 90x25	1
45	BR 111 102 010	nylon bushing (10/20x20)	2
46	BN 630 210 500	lob knob 189-50 m10x120	2
47	BQ 505 010 010	identity sticker ce 120x30	1



ELIET E401 – RUBBER WHEELS						
NO	MMA 01 080 221	REV	1	DATE	2023/05/25	

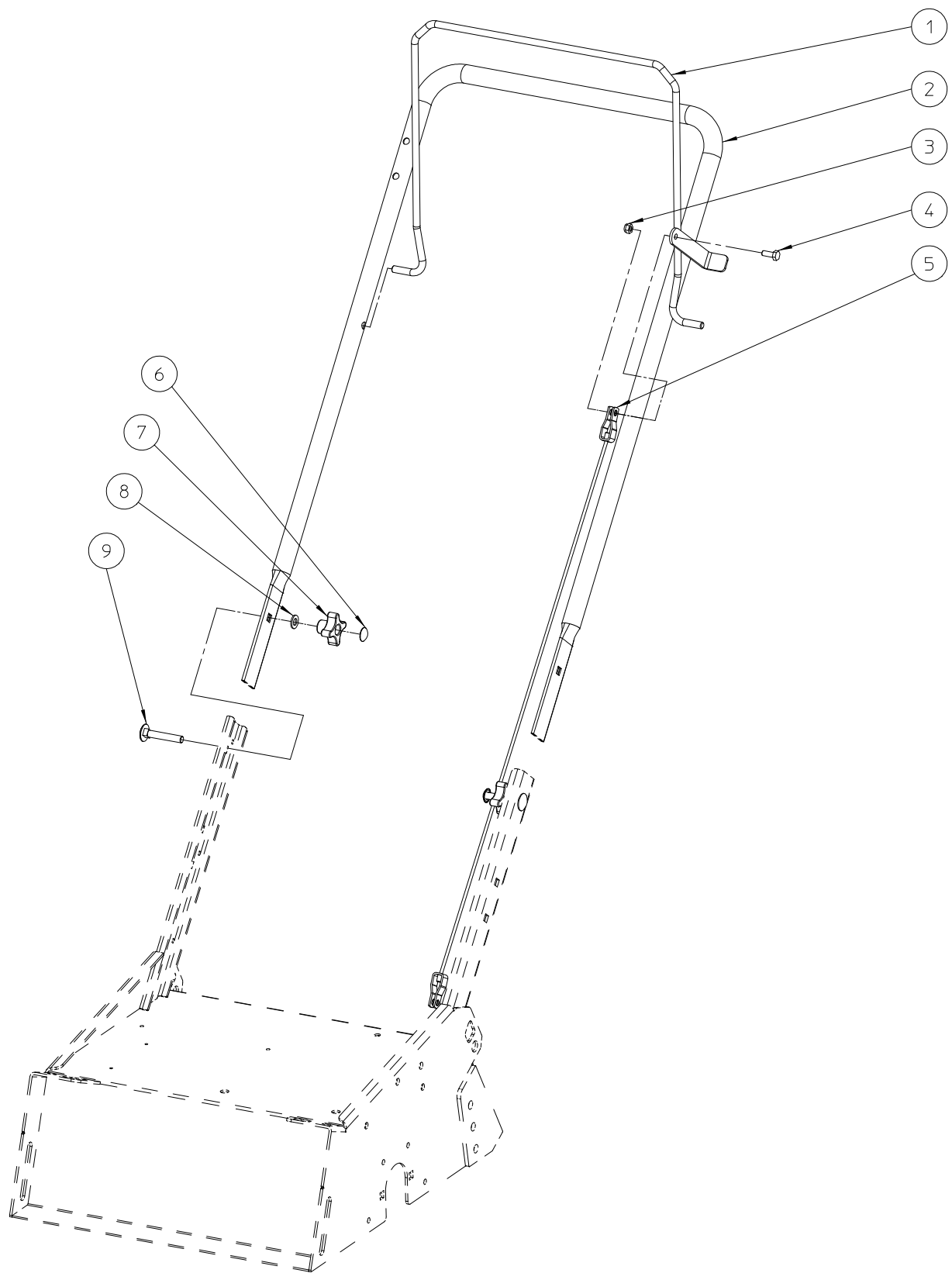
#	Order nr	article description	quantity
1	BS 511 001 048	bolt m10x80 din 931	2
2	BS 532 010 406	washer m10x40x3	6
3	BW 120 020 000	wheel 200/50	4
4	MPA 01 360 300	wheel shaft	4
5	BS 511 001 049	bolt m10x90 din 931	2
6	BS 531 001 000	washer m10 din 125	2
7	BS 502 001 000	self locking nut m10 din 985	2



ELIET E401 – ALU WHEELS

NO	MMA 01 080 222	REV	1	DATE	2023/05/25
----	----------------	-----	---	------	------------

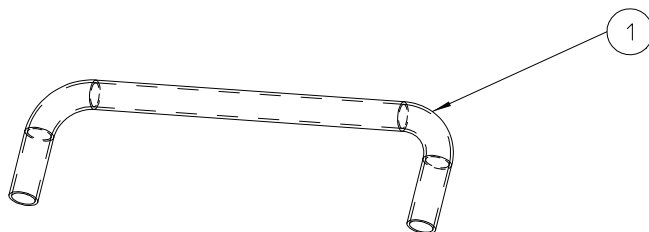
#	Order nr	article description	quantity
1	BS 511 001 048	bolt m10x80 din 931	2
2	BS 532 010 406	washer m10x40x3	6
3	BW 320 020 000	front wheel alu 200/50-60 (e 501 pro)	4
4	MPA 01 360 300	wheel shaft	4
5	BS 511 001 049	bolt m10x90 din 931	2
6	BS 531 001 000	washer m10 din 125	2
7	BS 502 001 000	self locking nut m10 din 985	2



**ELIET E401 – FIXED HANDLEBAR COMB. ENGINE**

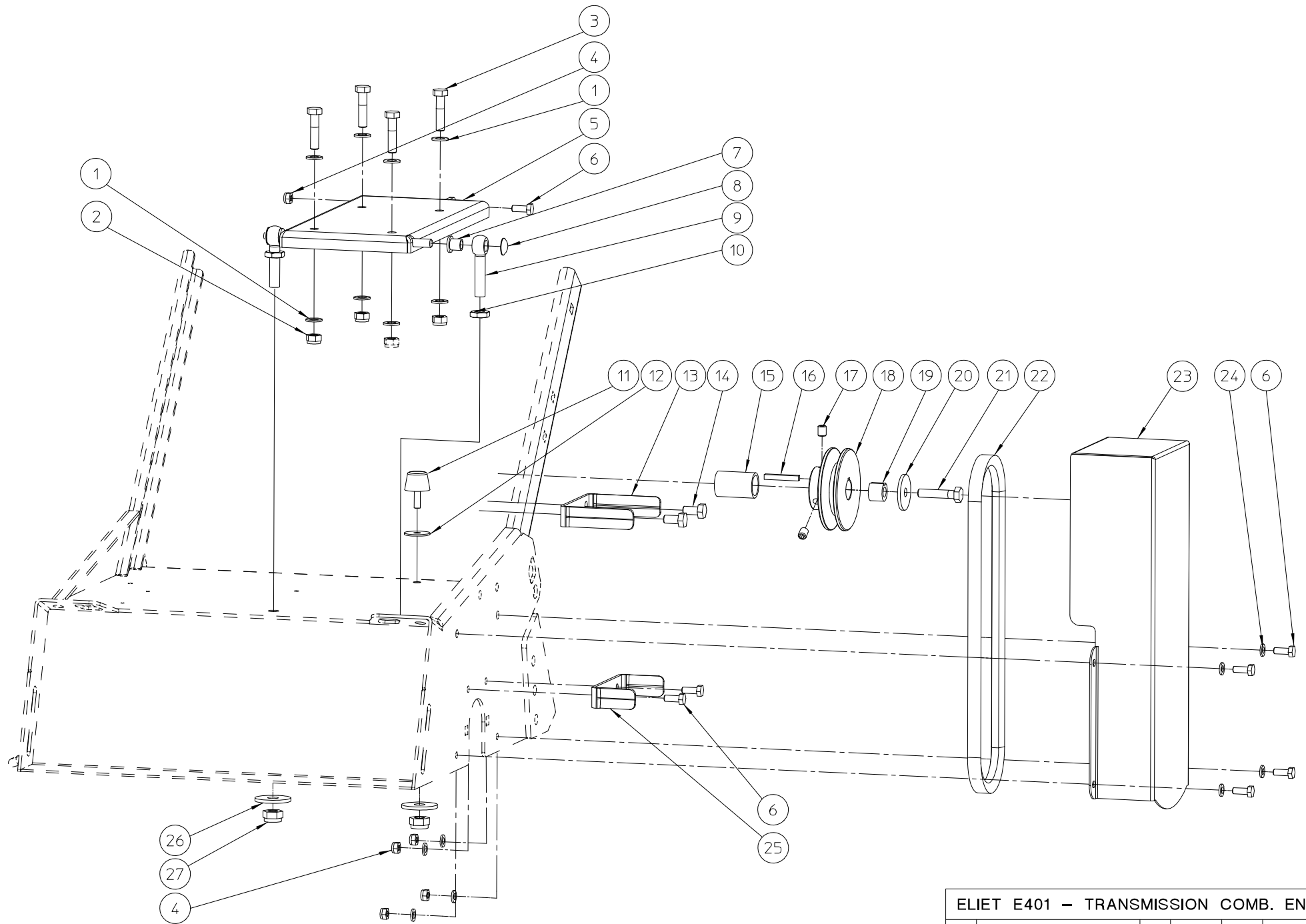
NO	MMA 01 080 230	REV	1	DATE	2023/05/25
----	----------------	-----	---	------	------------

#	Order nr	article description	quantity
1	MPA 01 080 135	clutch handle (combustion engine)	1
2	MPA 01 080 125	handlebars (electric engine)	1
3	BS 502 000 600	self locking nut m6 din 985	1
4	BS 512 000 616	bolt m6x16 din 933	1
5	BK 152 250 730	cable 2.5x730mm	1
6	BB 011 000 060	starlock 6mm	2
7	BN 630 808 400	lob knob 188-40 m8	2
8	BS 531 000 800	washer m8 din 125	2
9	BS 354 100 842	bolt m8x50 din 603 - stainless	2



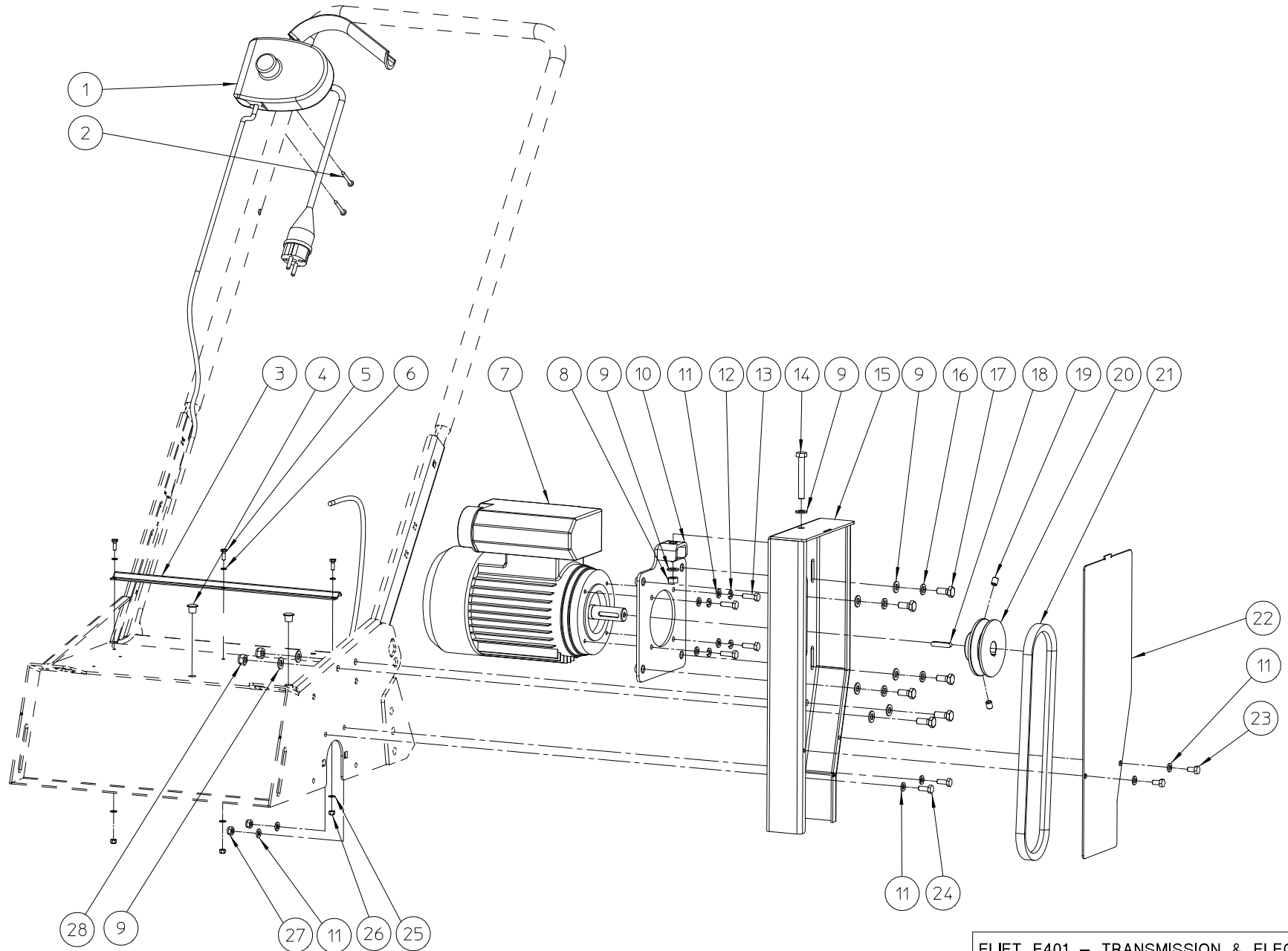
ELIET E401 – RUBBER HANDLEBAR					
NO	MMA 01 080 231	REV	1	DATE	2023/05/25

#	Order nr	article description	quantity
1	BN 231 001 057	soft rubber grip dia 22mm (l=570mm)	1



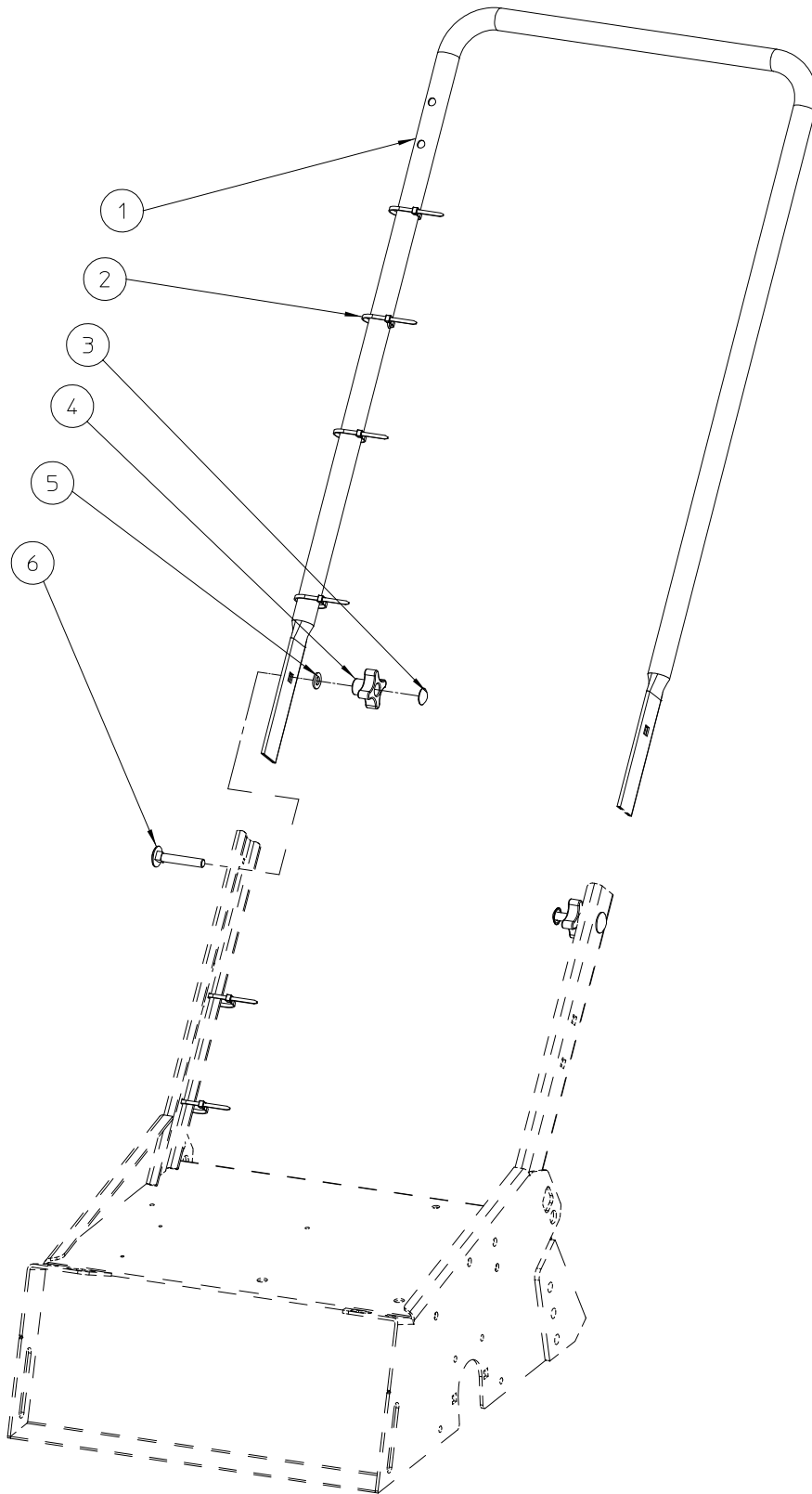
ELIET E401 – TRANSMISSION COMB. ENGINE					
NO	MMA 01 080 290	REV	1	DATE	2023/05/25

#	Order nr	article description	quantity
1	BS 531 000 800	washer m8 din 125	8
2	BS 502 000 800	self locking nut m8 din 985	4
3	BS 511 000 835	bolt m8x35 din 931	4
4	BS 502 000 600	self locking nut m6 din 985	5
5	MPA 01 080 150	engine plate (combustion engine)	1
6	BS 512 000 616	bolt m6x16 din 933	7
7	BR 112 081 300	nylon bushing with collar (8/11/16x13/2)	2
8	BB 011 000 080	starlock 8mm	2
9	BS 551 101 042	eye bolt m10x50 din 444	2
10	BS 501 901 000	nut m10 din 439	2
11	BR 600 425 170	antivibration blocks 25x17b m6x18	1
12	BS 532 006 253	washer m6x25x1.5	1
13	MPA 01 080 890	belt catcher pulley engine essence	1
14	BS 512 040 816	bolt unf 5/16"x5/8"	2
15	MPA 01 080 900		1
16	BB 342 050 535	key 4.7x4.7x35 din 6880	1
17	BS 023 000 810	set screw m8x10 din 916	2
18	BA 565 707 502	pulley spa 75x3/4"x3/16" (engine)	1
19	MPA 01 080 980		1
20	BS 532 008 356	washer m8x35x3	1
21	BS 511 040 840	bolt unf 5/16"x1"1/2	1
22	BA 521 207 490	belt xpa	1
23	MPA 01 080 170	transmission guard (combustion engine)	1
24	BS 531 000 600	washer m6 din 125	8
25	MPA 01 080 880	belt catcher pulley rotor	1
26	BS 532 010 356	washer m10x35x3	2
27	BS 502 001 000	self locking nut m10 din 985	2



ELIET E401 – TRANSMISSION & ELECTRICAL MOTOR					
NO	MMA 01 080 310	REV	3	DATE	2023/05/25

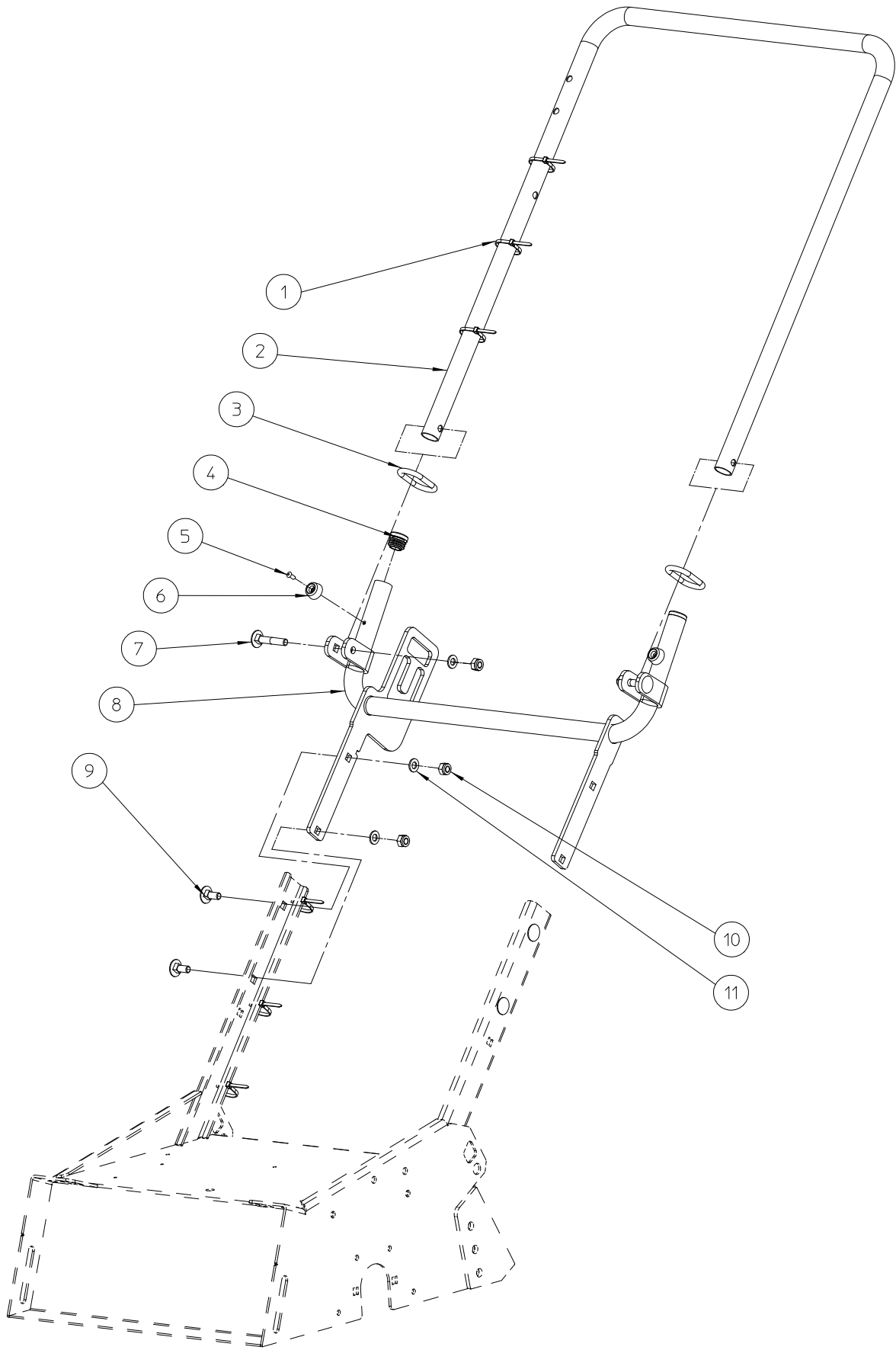
#	Order nr	article description	quantity
1	BE 122 201 204	switch 12a 1.76m	1
2	BS 546 640 035	screw Ø4x35	2
3	MPA 01 080 860	guide	1
4	BR 321 010 149	seal 10,5x14,8	2
5	BS 512 000 412	bolt m4x12 din 933	3
6	BS 533 000 400	lock washer m4 din 127b	3
7	BM 101 103 001	electromotor 230v 2200w	1
8	BS 501 000 800	nut m8 din 934	1
9	BS 531 000 800	washer m8 din 125	10
10	MPA 01 080 810	flange tightener	1
11	BS 531 000 600	washer m6 din 125	10
12	BS 533 000 600	lock washer m6 din 127b	4
13	BS 512 000 620	bolt m6x20 din 933	4
14	BS 512 000 844	bolt m8x60 din 933	1
15	MPA 01 080 820	support engine	1
16	BS 533 000 800	lock washer m8 din 127b	4
17	BS 512 000 820	bolt m8x20 din 933	6
18	BB 351 060 630	key 6x6x30 din 6885a	1
19	BS 023 000 810	set screw m8x10 din 916	2
20	BA 565 707 501	pulley spa 75x19x6 (electric engine)	1
21	BA 521 207 490	belt xpa	1
22	MPA 01 080 850	cover	1
23	BS 512 000 612	bolt m6x12 din 933	2
24	BS 512 000 616	bolt m6x16 din 933	2
25	BS 531 000 400	washer m4 din 125	3
26	BS 502 000 400	self locking nut m4 din 985	3
27	BS 502 000 600	self locking nut m6 din 985	2
28	BS 502 000 800	self locking nut m8 din 985	2



ELIET E401 – FIXED HANDLEBAR ELECTRICAL

NO	MMA 01 080 320	REV	1	DATE	2023/05/25
----	----------------	-----	---	------	------------

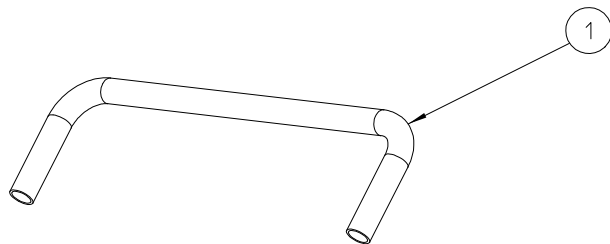
#	Order nr	article description	quantity
1	MPA 01 080 125	handlebars (electric engine)	1
2	BE 043 010 140	wrap tie 140x3.5	6
3	BB 011 000 060	starlock 6mm	2
4	BN 630 808 400	lob knob 188-40 m8	2
5	BS 531 000 800	washer m8 din 125	2
6	BS 354 100 842	bolt m8x50 din 603 - stainless	2



**ELIET E401 – FOLDING HANDLEBAR ELECTRICAL**

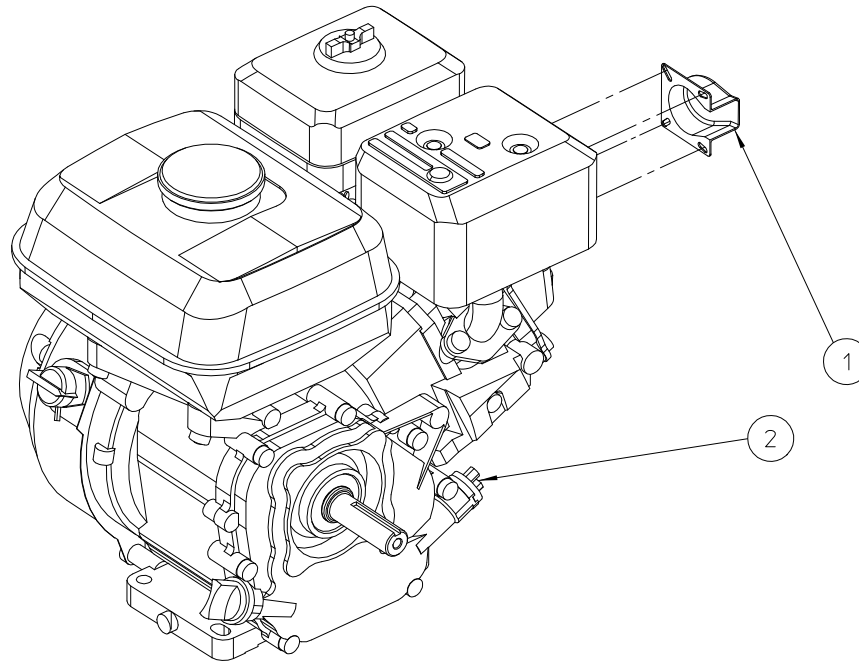
NO	MMA 01 080 330	REV	1	DATE	2023/05/25
----	----------------	-----	---	------	------------

#	Order nr	article description	quantity
1	BE 043 010 140	wrap tie 140x3.5	6
2	MPA 01 080 700	folding handlebars	1
3	MPA 01 090 320	ring of locking	2
4	BR 020 501 220	tube cap Ø 22mm	2
5	BB 221 004 100	pop plug steel 3.9x10	2
6	BR 625 020 100	rubber foot	2
7	BS 554 100 841	bolt m8x45 din 603	2
8	MPA 01 080 610	support folding handlebars	1
9	BS 554 100 820	bolt m8x20 din 603	4
10	BS 502 000 800	self locking nut m8 din 985	6
11	BS 531 000 800	washer m8 din 125	6



ELIET E401 – RUBBER FOLDING HANDLEBAR					
NO	MMA 01 080 331	REV	1	DATE	2023/05/25

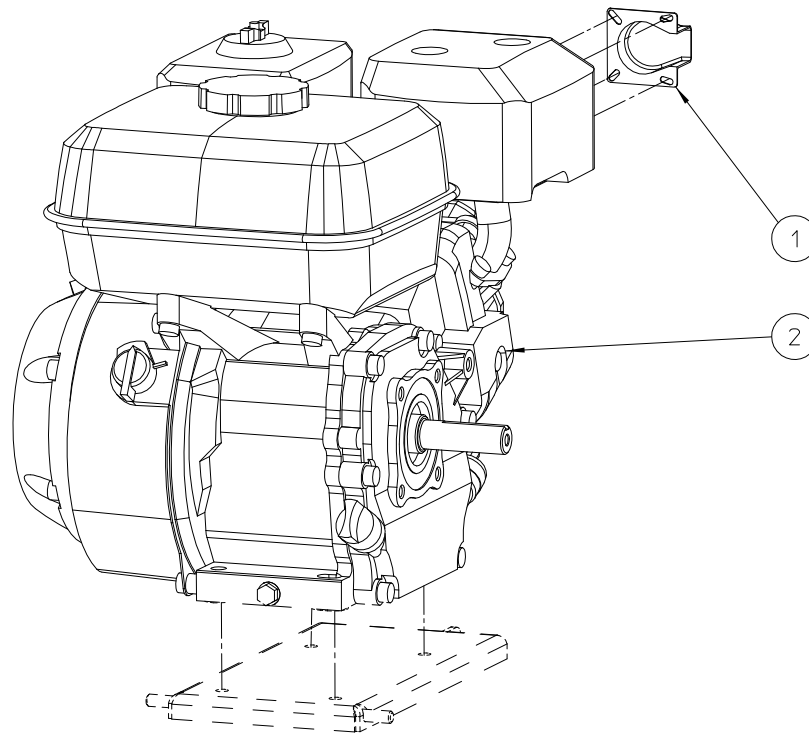
#	Order nr	article description	quantity
1	BN 231 001 070	soft rubber grip dia 22mm (l=700mm)	1



ELIET E401 – ENGINE HONDA GX120

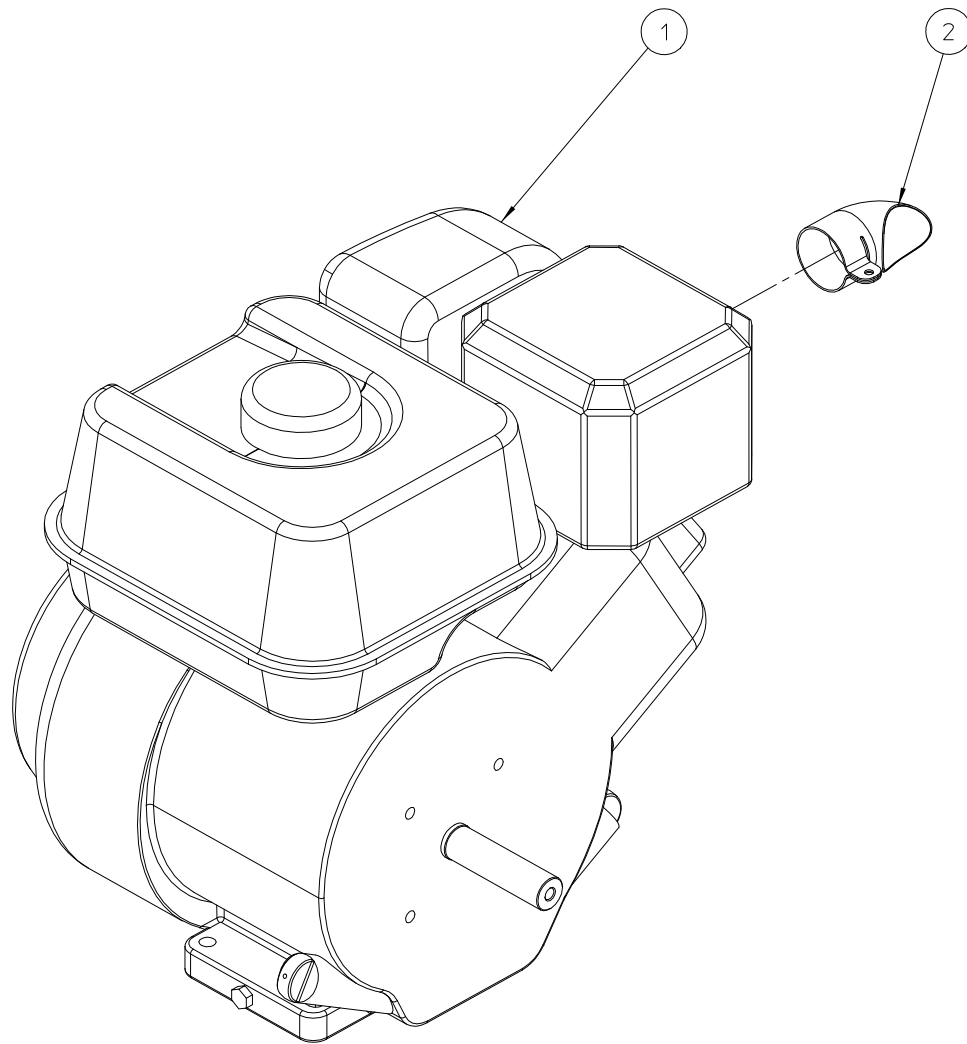
NO	MMA 01 080 340	REV	1	DATE	2023/05/25
----	----------------	-----	---	------	------------

#	Order nr	article description	quantity
1	BM 262 000 002		1
2	BM 202 104 000	honda gx 120	1



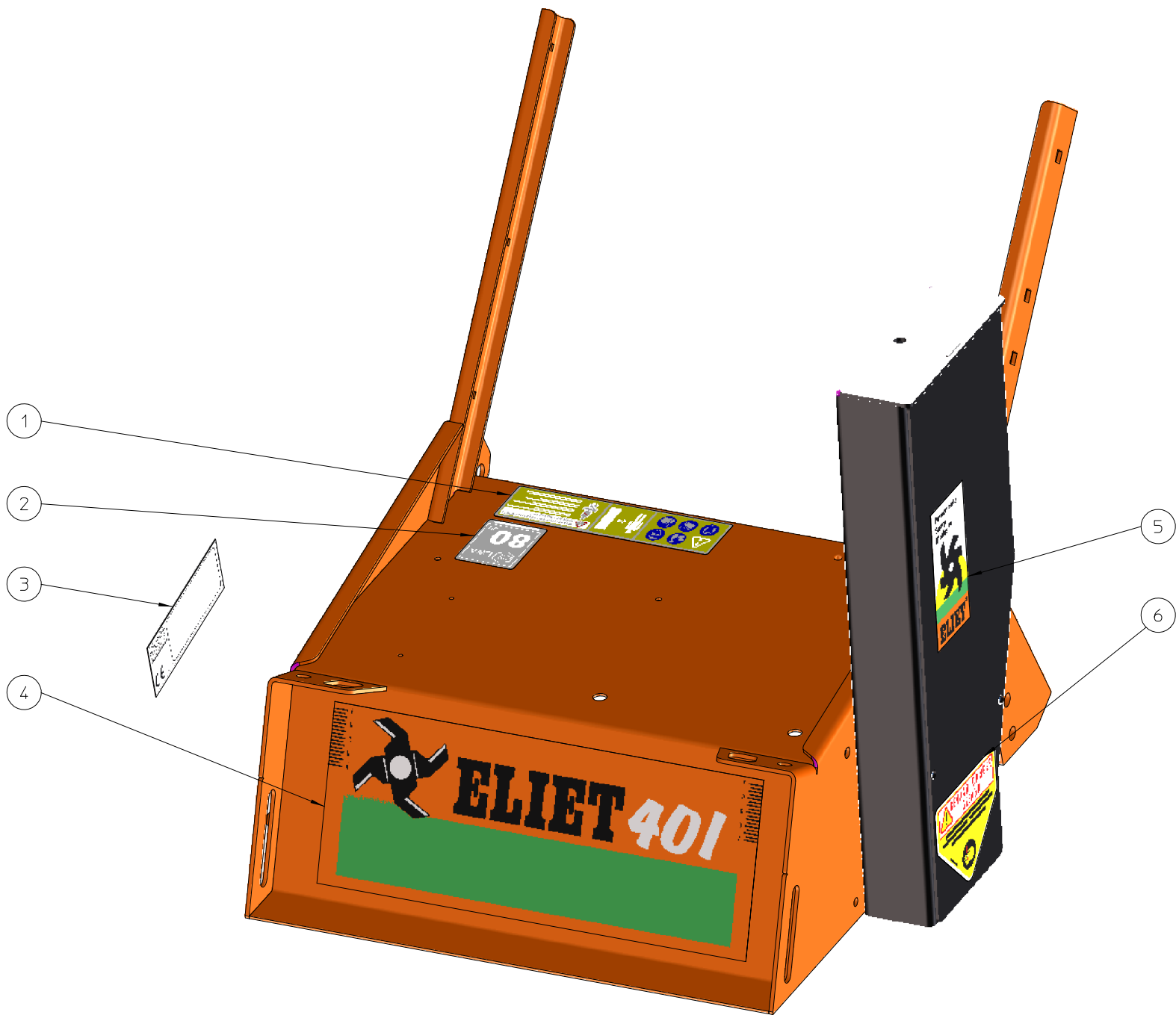
ELIET E401 – COMB. ENGINE HONDA GP160				
NO	MMA 01 080 360	REV	1	DATE 2023/05/25

#	Order nr	article description	quantity
1	BM 262 000 002		1
2	BM 202 505 500	honda gp 160	1



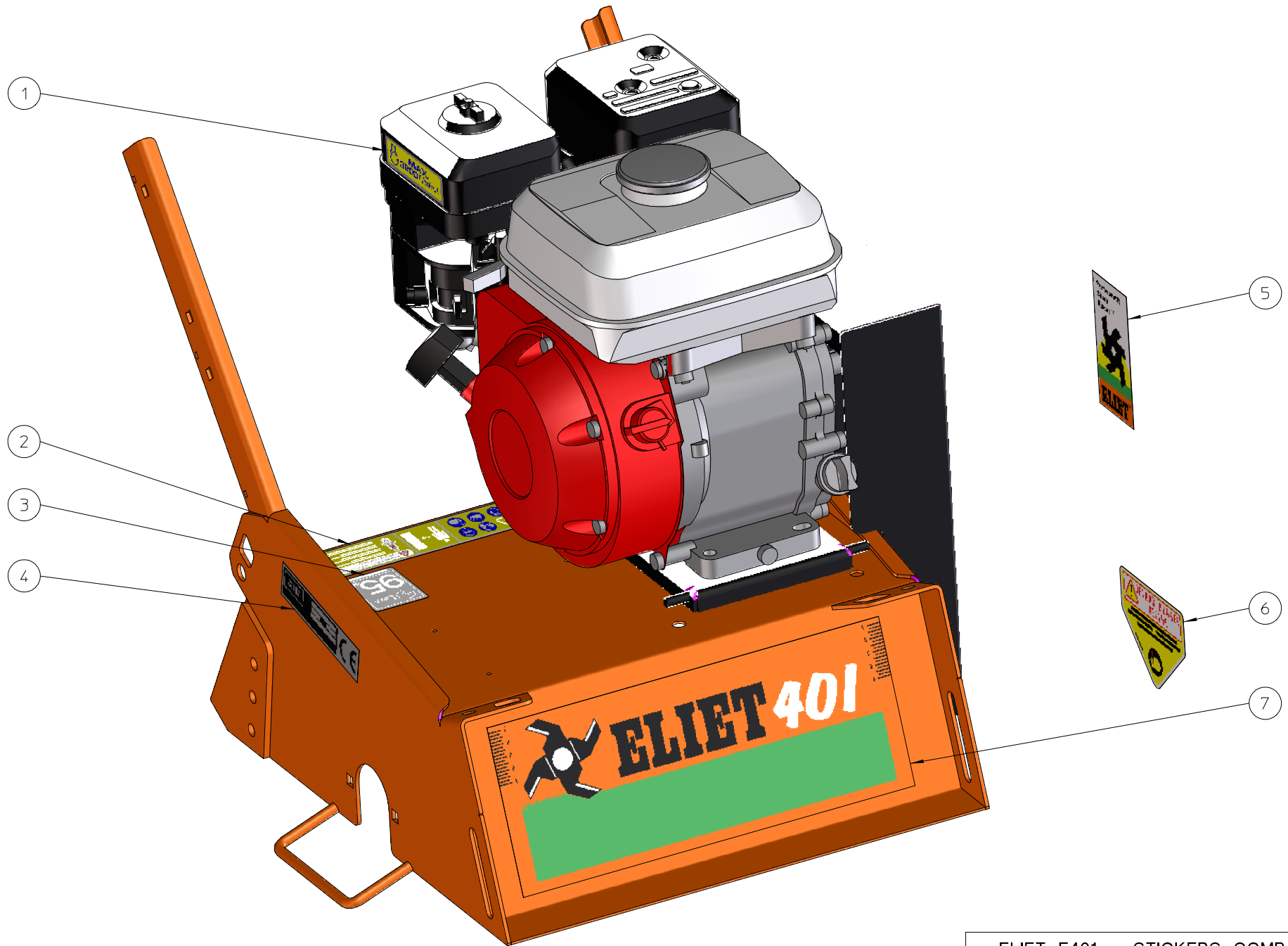
ELIET E401 – ENGINE BRIGGS 550 SERIES					
NO	MMA 01 080 370	REV	1	DATE	2023/05/25

#	Order nr	article description	quantity
1	BM 200 908 310	b&s series xr 550 4 hp	1
2	BM 260 697 816	elbow muffler	1



ELIET E401 – STICKERS ELECTRICAL					
NO	MMA 01 080 403	REV	1	DATE	2023/05/25

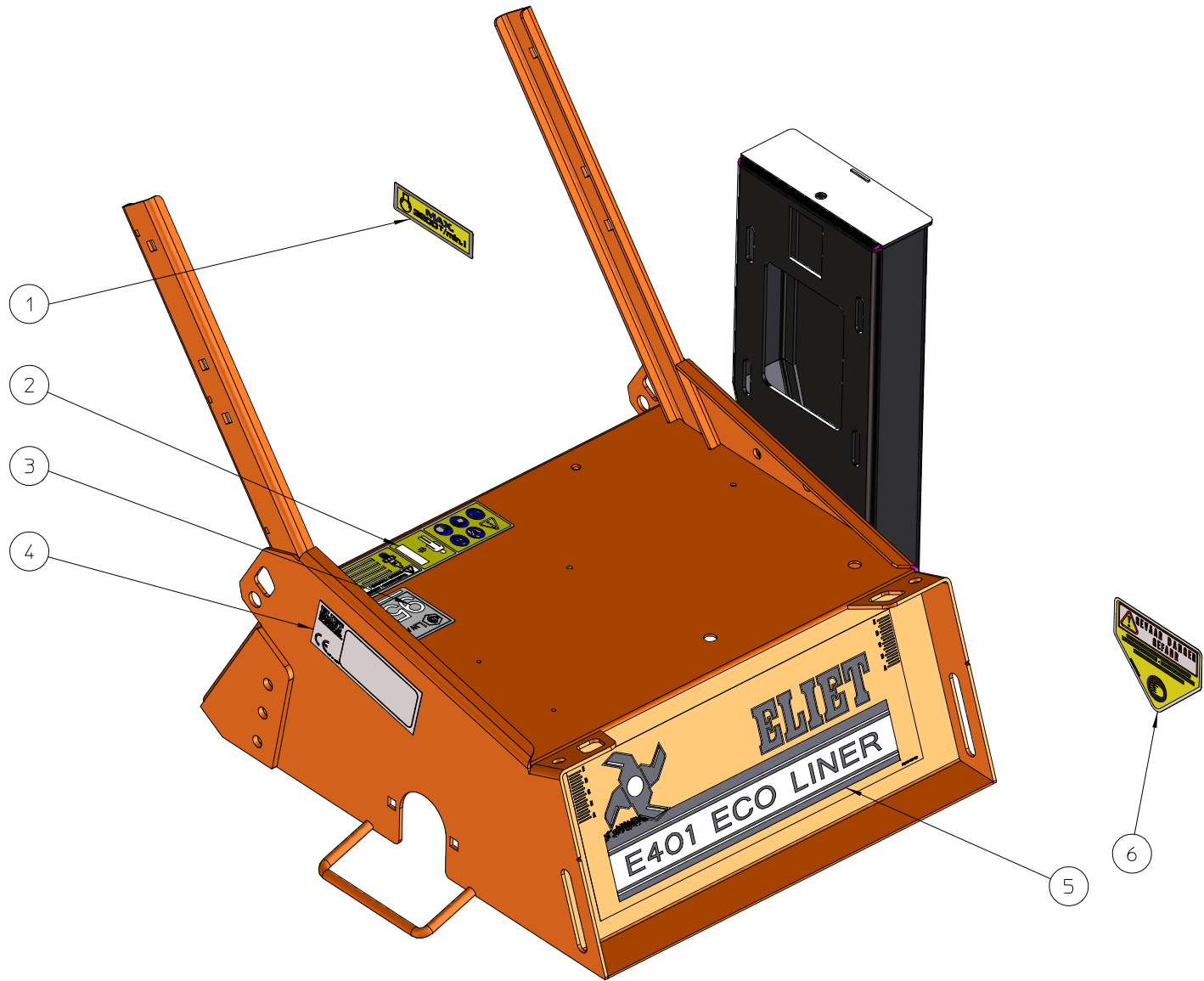
#	Order nr	article description	quantity
1	BQ 505 010 171	safety sticker 70x115 (pictogram)	1
2	BQ 505 112 080	sticker sound level 80 db	1
3	BQ 505 010 010	identity sticker ce 120x30	1
4	BQ 501 080 010	sticker eliet e401 330x130	1
5	BQ 501 010 100	sticker permanent sharp blades	1
6	BQ 505 010 070	safety sticker 100x80 (hand cuts)	1



ELIET E401 – STICKERS COMB. ENGINE

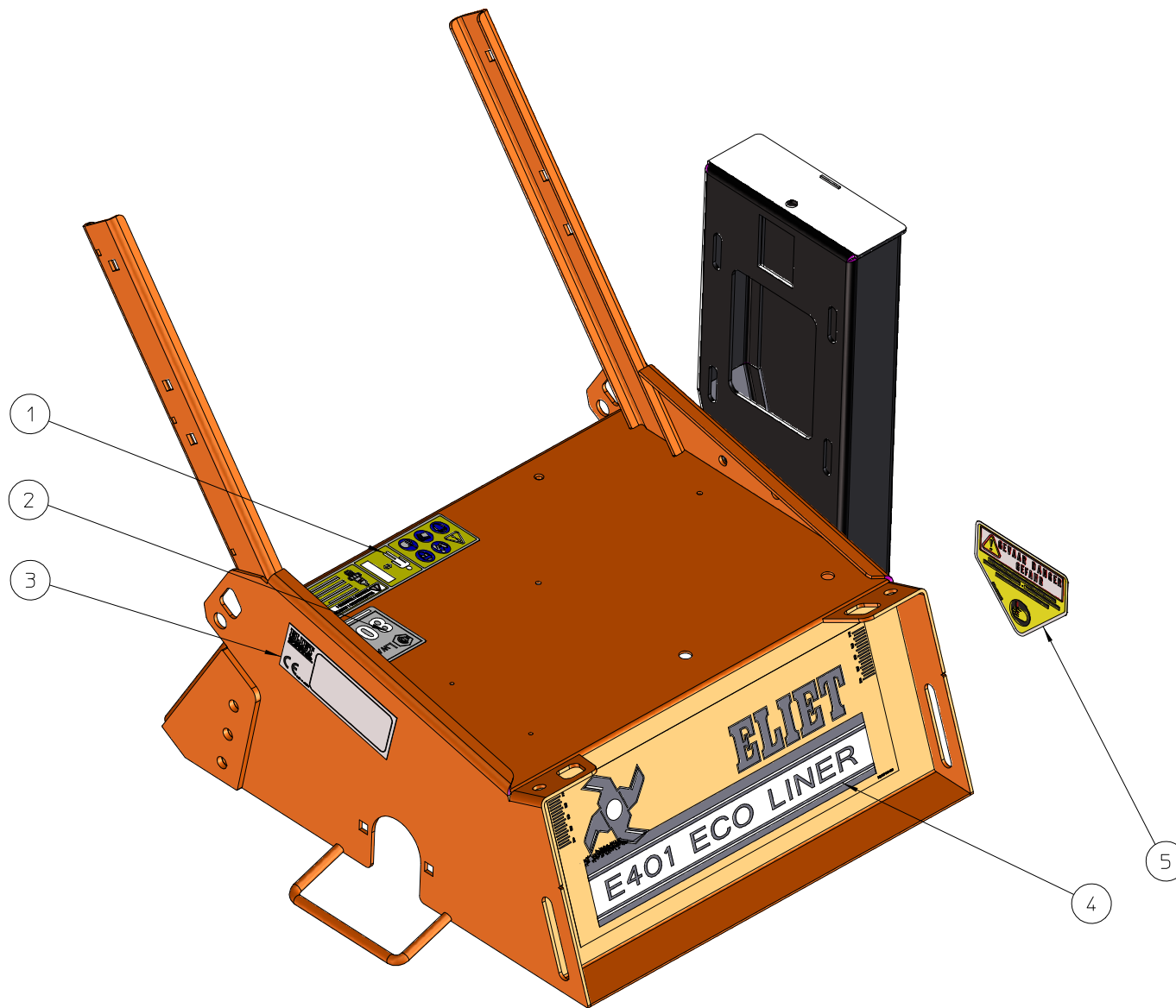
NO	MMA 01 080 404	REV	1	DATE	2023/05/25
----	----------------	-----	---	------	------------

#	Order nr	article description	quantity
1	BQ 505 010 030	sticker max 3200 rpm 90x25	1
2	BQ 505 010 171	safety sticker 70x115 (pictogram)	1
3	BQ 505 112 095	sticker sound level 95 db	1
4	BQ 505 010 010	identity sticker ce 120x30	1
5	BQ 501 010 100	sticker permanent sharp blades	1
6	BQ 505 010 070	safety sticker 100x80 (hand cuts)	1
7	BQ 501 080 010	sticker eliet e401 330x130	1



ELIET E401 – STICKERS ECO LINER COMB.					
NO	MMA 01 080 405	REV	1	DATE	2023/05/25

#	Order nr	article description	quantity
1	BQ 505 010 030	sticker max 3200 rpm 90x25	1
2	BQ 505 010 171	safety sticker 70x115 (pictogram)	1
3	BQ 505 112 095	sticker sound level 95 db	1
4	BQ 505 010 010	identity sticker ce 120x30	1
5	BQ 501 080 020	sticker eliet e401 eco line 335x126	1
6	BQ 505 010 070	safety sticker 100x80 (hand cuts)	1



ELIET E401 – STICKERS ECO LINER ELEKTRO

NO	MMA 01 080 406	REV	1	DATE	2023/05/25
----	----------------	-----	---	------	------------

#	Order nr	article description	quantity
1	BQ 505 010 171	safety sticker 70x115 (pictogram)	1
2	BQ 505 112 080	sticker sound level 80 db	1
3	BQ 505 010 010	identity sticker ce 120x30	1
4	BQ 501 080 020	sticker eliet e401 eco line 335x126	1
5	BQ 505 010 070	safety sticker 100x80 (hand cuts)	1